

**Main Feature**

1. Small size (15.5x10.5x11.2 in mm) produces a switching capacity up to 1A for high density P.C.Board mounting technique.
2. The contact form construction is 1A/1C
3. The Surge Resistance of BSZ5 series is 1,500V
4. Sealing Construction (Free from dust and solder flux): BSZ5-SS: Plastic Sealed Type.
5. The selection of plastic insulation material is designed for high temperature and provides better chemical solution performance.
6. RoHS Compliant.

**Application**

Air Conditioning, Fridge, Washing Machine, etc Household Appliances

**Contact Rating**

- Nominal Load(Resistive Load Cos  $\phi = 1$ )  
Contact Capacity  
BSZ5-L/LM.....1A at 125VAC  
1A at 24VAC
- Max. Allowable Current  
BSZ5-L/LM.....1A
- Max. Allowable Voltage  
BSZ5-L/LM.....AC125V,DC24V
- Max. Allowable Power Force  
BSZ5-L/LM.....125VA 24W
- Contact Material..... Ag Alloy
- Contact Form..... SPDT & SPST

**Performance (at Initial Value)**

- Contact Resistance..... $\leq 50m\Omega$  at 6VDC/1A
- Operate Time.....10ms. Max
- Release Time..... 5ms. Max
- Dielectric Strength:  
Between Coil & Contact.....1,000VAC at 50/60 Hz  
for one minute  
Between Contacts.....500VAC at 50/60 Hz  
for one minute
- Surge Resistance.....1,500V (between Coil  
& Contact 1.2x50  $\mu s$ )

- Insulation Resistance.....1,000 Mega  $\Omega$  Min. at  
500VDC
- Max. On/Off Switching:  
Electrical.....30 Ops per minute  
Mechanical.....300 Ops per minute
- Temperature Range..... - 30~70°C
- Humidity Range.....5%~85% RH
- Coil Temperature Rise..... 35°C Maximum
- Vibration:  
Endurance.....10 to 55 Hz dual  
amplitude width 1.5mm  
Error Operation.....10 to 55 Hz dual  
amplitude width 1.5mm
- Shock:  
Endurance..... 981m/s<sup>2</sup> Min  
Error Operation..... 98.1m/s<sup>2</sup> Min
- Life Expectancy:  
Electrical.....10<sup>5</sup> Operations at  
Rated Resistive  
load  
Mechanical.....10<sup>7</sup> Operations at  
No load condition
- Weight.....about 3.5g

**Safety Standard & Its File Number**

Pending

## Coil Specification (at 20 °C)

Coil Sensitivity	Nominal Voltage (VDC)	Nominal Current (mA)	Coil Resistance ( $\Omega \pm 8\%$ )	Power Consumption (W)	Pull-In Voltage (VDC)	Drop-Out Voltage (VDC)	Maximum Allowable Voltage (VDC)
BSZ5-L/LM	3	66.7	45	Abt. 0.2	75% Maximum	10% Minimum	130%
	5	40	125				
	6	33.7	180				
	9	22.2	405				
	12	16.7	720				
	24	8.3	2880				

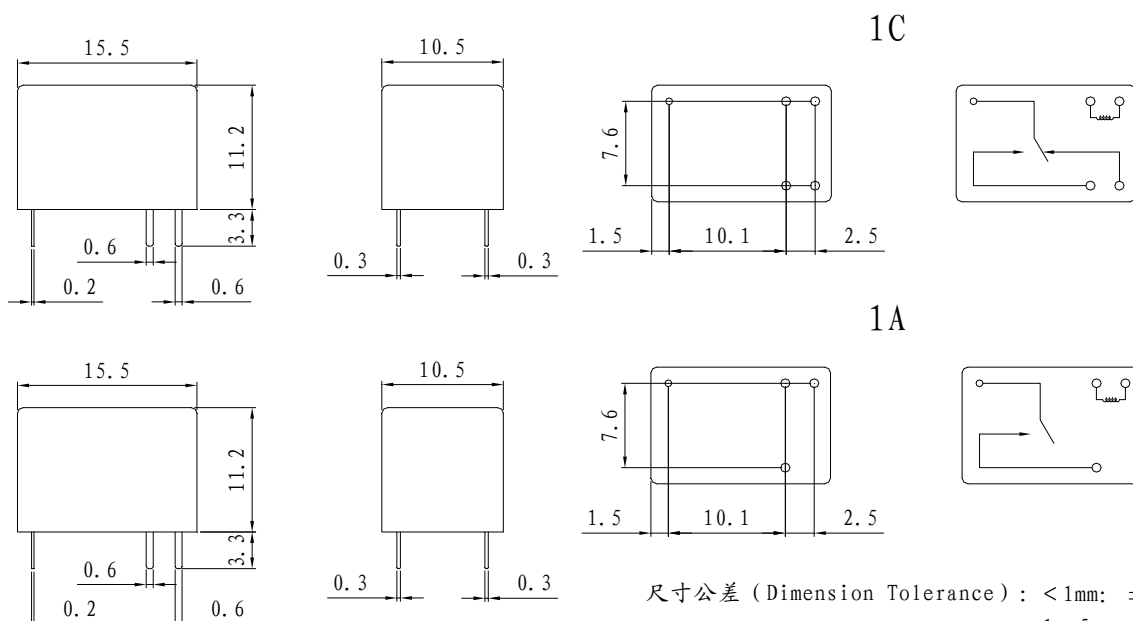
## Ordering Information

<b>BSZ5</b>	-	<b>SS</b>	-	<b>1</b>		<b>12</b>		<b>L</b>		<b>M</b>	
											<b>Contact Form:</b> Nil:One form C M:One form A
											<b>Coil Type:</b> L:Standard DC Coil
											<b>Coil Voltage:</b> 03:3V, 05:5V,06:6V, 09:9V12:12V,24:24V.
											<b>Number of Pole:</b> 1:One Pole
											<b>Type of Sealing:</b> SS:Plastic Sealed Type
											<b>Type:</b> BSZ5

## Classification

Model	BSZ5	
Coil Sensitivity	Standard DC Coil	
	1C	1A
Flow Solder Type	BSZ5-SS-1□□L	BSZ5-SS-1□□LM

## Dimension



尺寸公差 (Dimension Tolerance) : < 1mm:  $\pm 0.2$ mm  
1--5mm:  $\pm 0.3$ mm  
> 5mm:  $\pm 0.5$ mm